

INSTRUCTIONS FOR USE



The sealing of ducts carrying cables, pipes or similar, from gas and water.

EQUIPMENT, TOOLS AND TRAINING

- Denso Seal 16A[™]
- Personal Protection Equipment (not supplied by Denso)
- Surface Preparation Equipment (not supplied by Denso)

HANDLING AND STORAGE

- All materials shall be stored upright in their original packaging, out of direct sunlight.
- All materials shall be stored in a cool dry place between 5°C and 35°C.

DISPOSAL

Please minimise or avoid waste wherever possible. Please do not discard waste material, including packaging, in the surrounding environment. Follow all relevant legislation for disposal.

SURFACE PREPARATION

The inner surface of the duct shall be free from dirt, dust, loose rust, scale, previously applied sealants and contamination. The substrate may be dry or damp during application. To increase adhesion of the Denso Seal 16A, the substrate shall be dry.

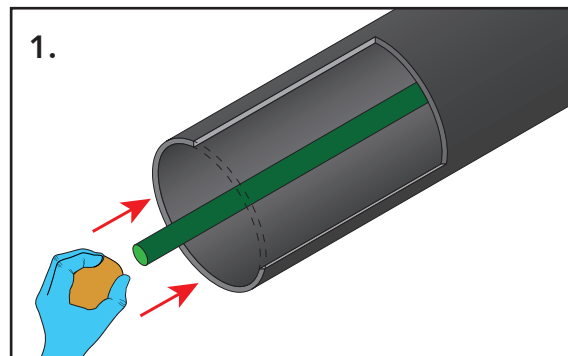
IMPORTANT:

Winn & Coales (Denso) Ltd pursue a policy to develop and continually improve all of our products and therefore information given in these instructions for use is intended as a general guide and does not constitute a warranty, specification or risk assessment. Instructions for use are intended to provide sufficiently detailed information to achieve successful installation in normal circumstances. These guidelines may not cover all circumstances; however, our sales personnel are committed to assisting the user in establishing the suitability of the product for its intended purpose and additional specific information, advice and training (including Safety Data Sheets) is available. It is strongly recommended that installation is conducted with due regard to Health and Safety using a safe system of work, including risk assessments and method statements, in accordance with relevant local statutes and regulations. Equipment used for installation must be suitable for the intended use, maintained in a safe condition, inspected for signs of deterioration, and used by competent personnel. Any conflict between these guidelines and the specific project specifications must be resolved by the user before work commences. All rights reserved.

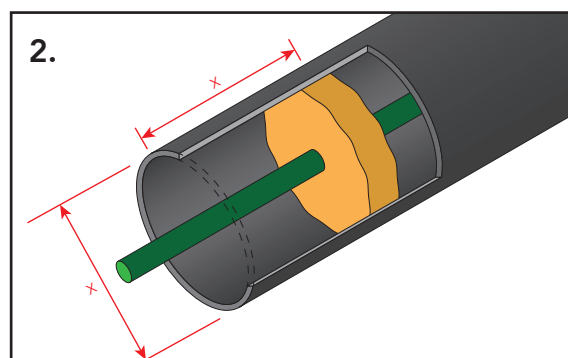
SEALING OF DUCT OPENINGS**APPLICATION PROCEDURE**

1. All packaging shall be removed. The Densoseal 16A shall be moulded to a size and shape that can be placed into the duct, next to the cable or cables.

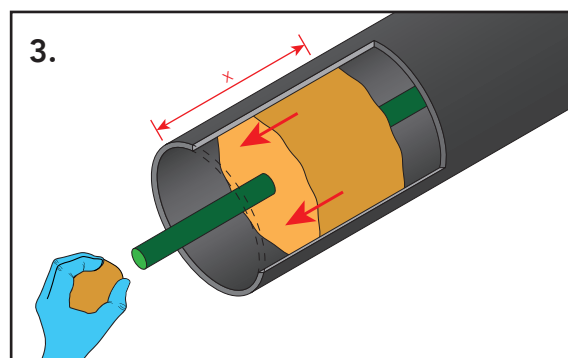
The cable or cables shall be positioned centrally away from the duct wall to allow it to be surrounded by the Densoseal 16A. If there are multiple cables, they shall be separated from each other to allow each cable to be surrounded by the Densoseal 16A.



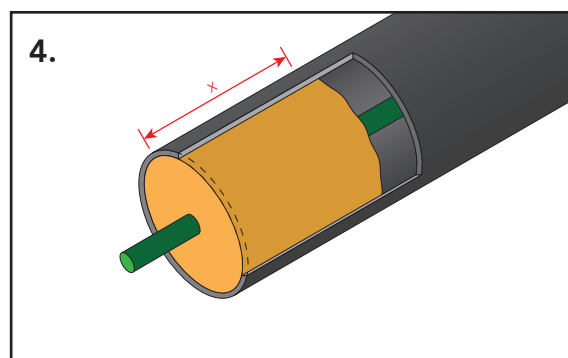
2. The Densoseal 16A shall be applied into the duct to a depth equal to the diameter or width of the duct. The Densoseal 16A shall be applied from the deepest point of the duct outwards.



3. The Densoseal 16A shall be pressed firmly against the walls of the duct and the cable or cables. There shall be no gaps or fissures.



4. The Densoseal 16A shall be applied until it is flush with the end of the duct.



NOTE: The following visual inspection shall be completed after application of the Densoseal 16A.

- Check that the Densoseal 16A is free from voids or fissures.
- Check that the Densoseal 16A is flush with the end of the duct.